

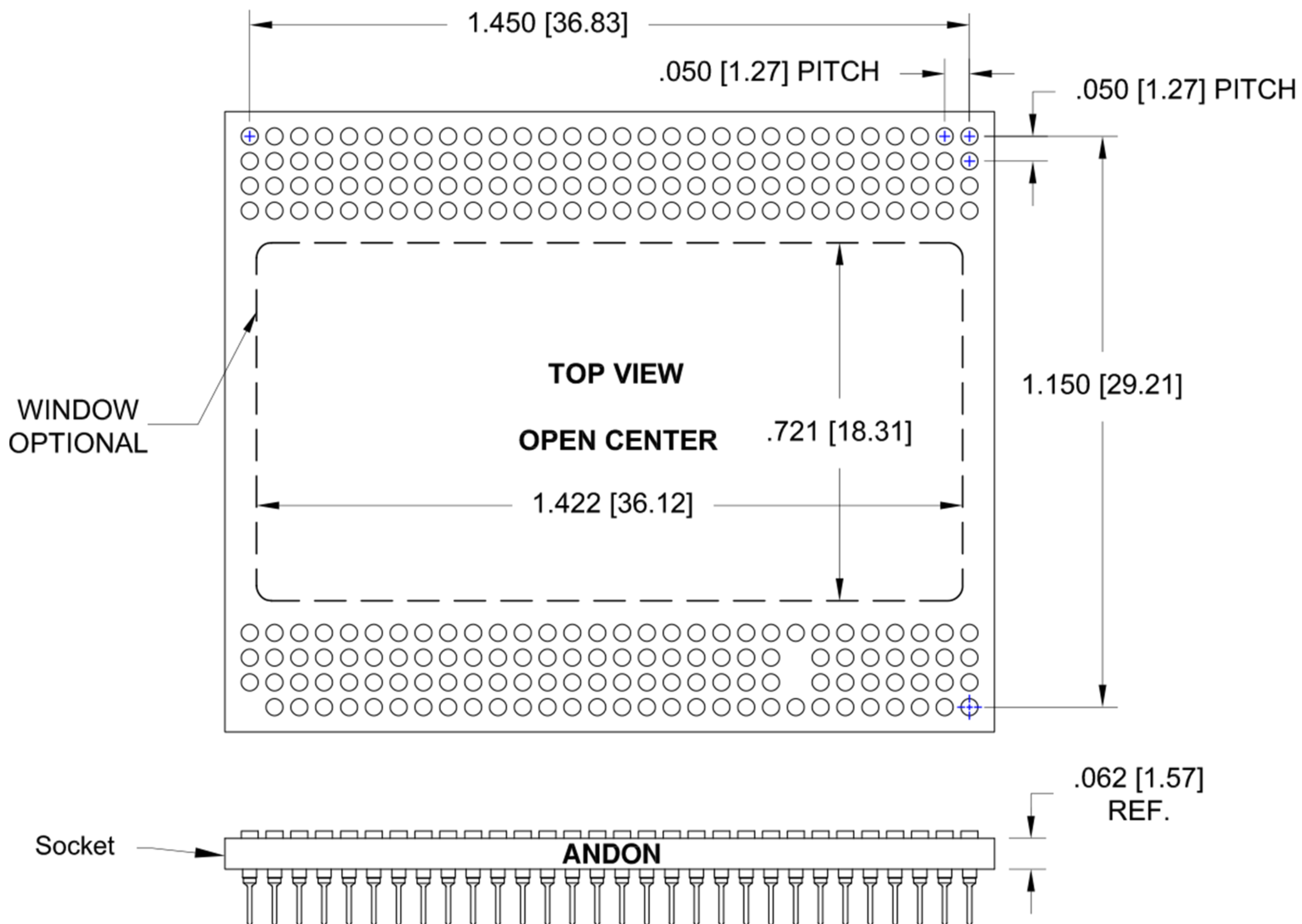
ams (formerly CMOSIS) Continued

Socket Terminal Details

Cross Section View Shown Units: inch [mm]

**CMV12000 Image Sensor Socket Footprints**

Units: in [mm]



**Fig. 3**

Thru-Hole: 10-30-07-237-400T4-R27-L14

Surface Mount: 10-30-07-237-414T4-R27-L14

Rollerball® : 10-30-07-237-RB501T4-R27-L14

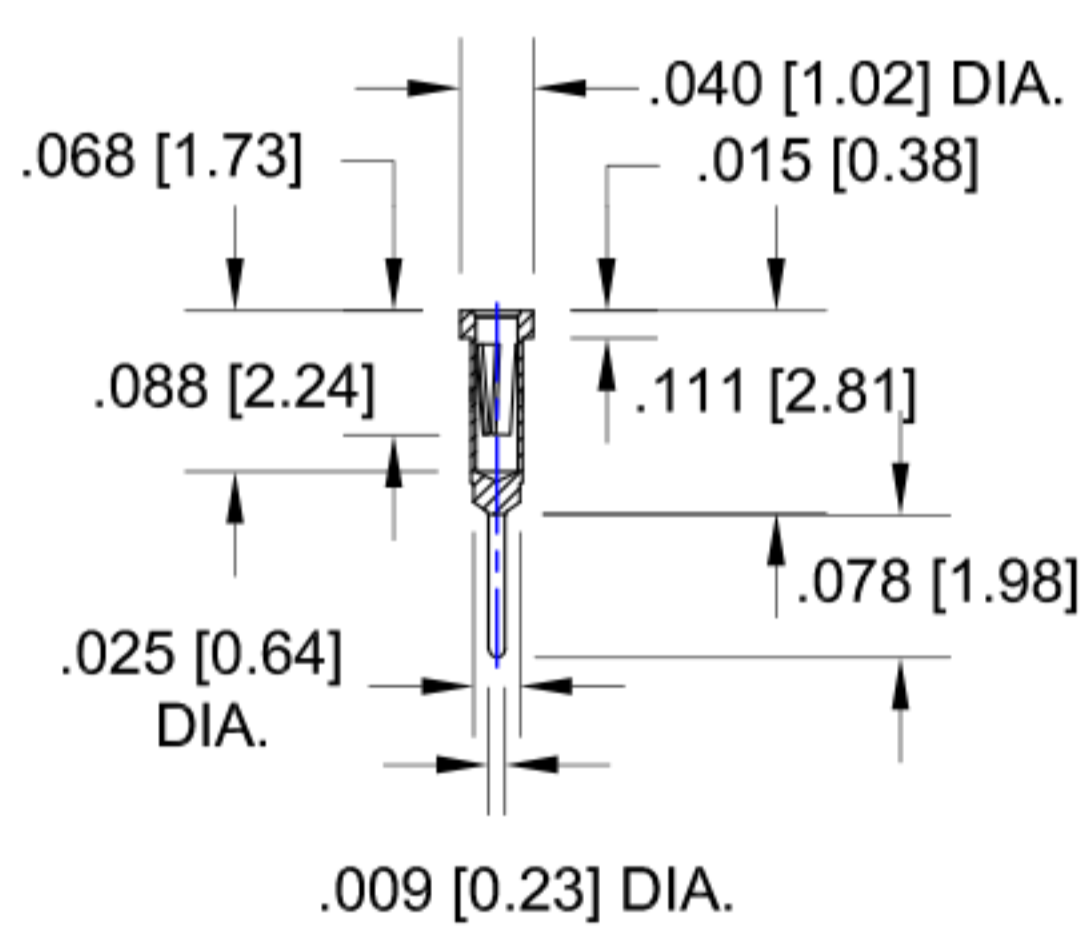
PART NUMBER WITH OPTIONAL WINDOW

Thru-Hole: 10-30-07A-237-400T4-R27-L14 (With Window)

Surface Mount: 10-30-07A-237-414T4-R27-L14 (With Window)

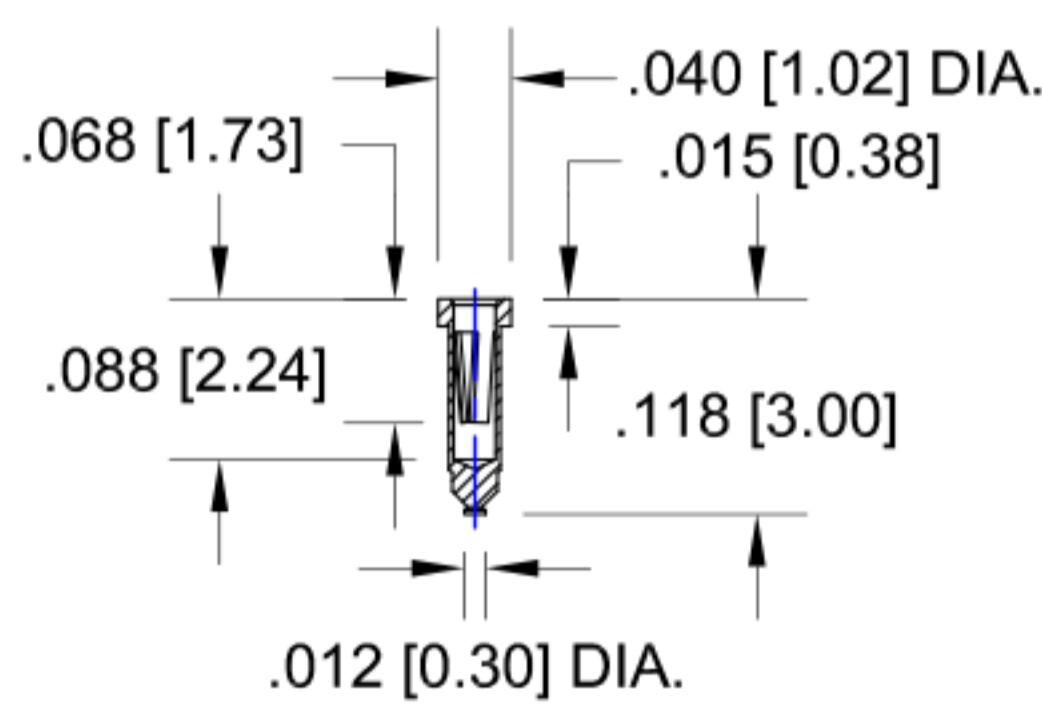
Rollerball® : 10-30-07A-237-RB501T4-R27-L14 (With Window)

**THRU HOLE OPTION**  
**400T4**



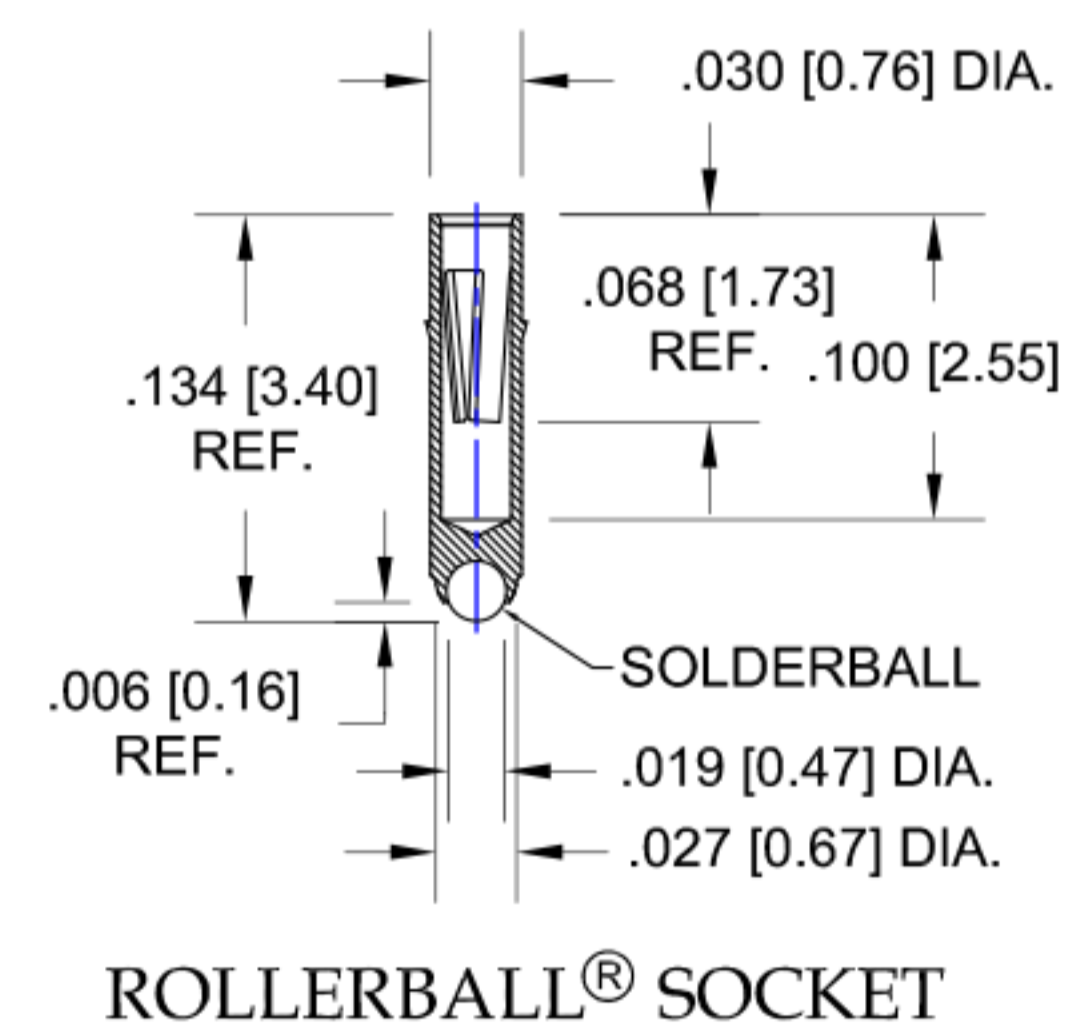
**SURFACE MOUNT OPTION**

**414T4**



**ROLLERBALL® OPTION**

**RB501T4**



**Technical Information**

**Material:**

- Insulator: Hi-Temp UL 94V-O
- L14 Black FR4 Laminate
- S14 Black Nylon 46 30% Glass Filled

Terminal: Brass, per ASTM-B16

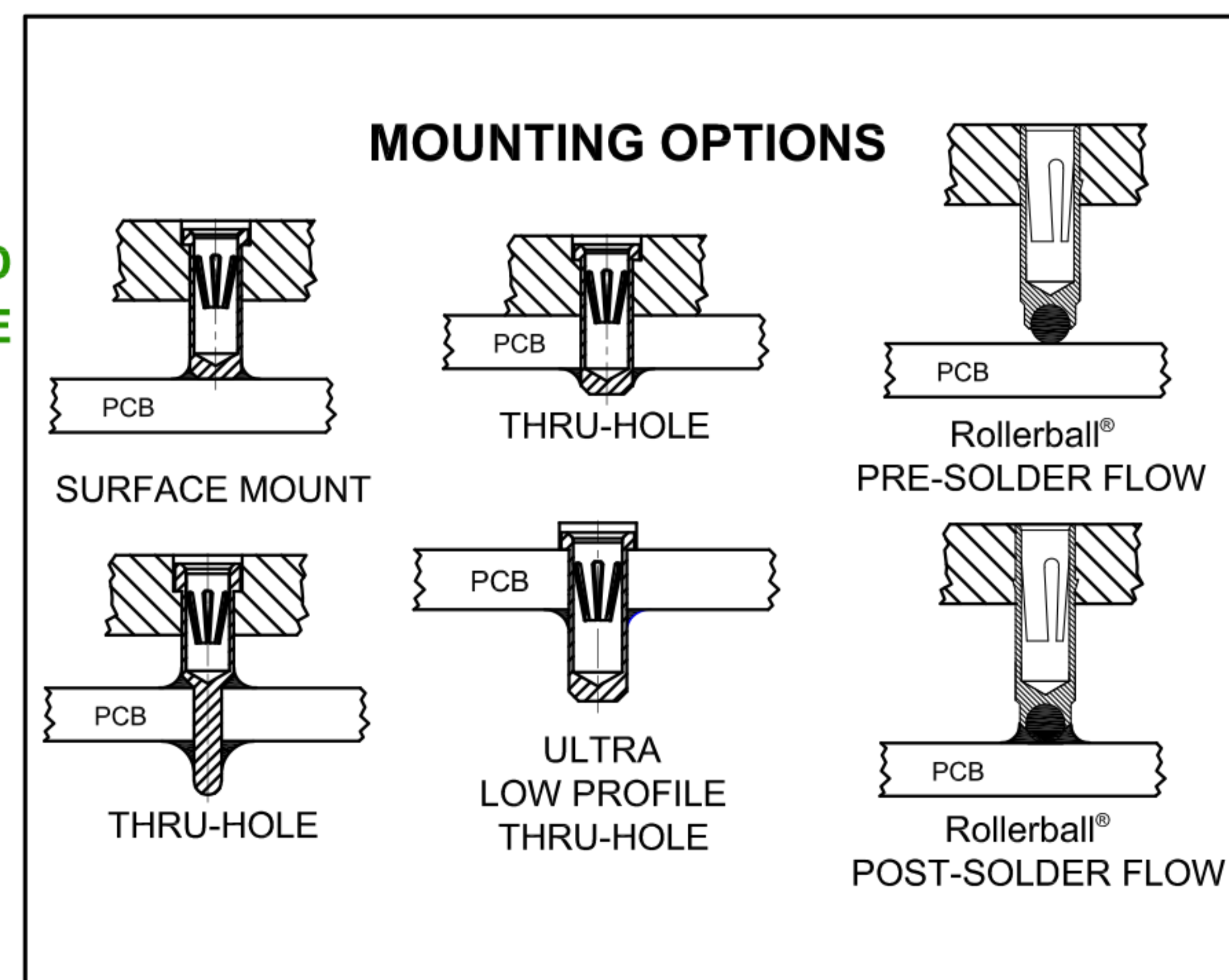
Contact: BeCu, Per ASTM-B194

Adapter: Copper Alloy Plated Gold

Solderball: Lead Free 96.5% Tin, 3.0% Silver, 0.5% Copper

**Plating: RoHS COMPLIANT**  
**R27 TERMINAL: GOLD / CONTACT: GOLD**  
**OTHER PLATINGS AVAILABLE**

Thru Hole Terminal	Accepts Pin Diameter	Insertion Force	Withdrawal Force	Surface Mount Terminal	Accepts Pin Diameter	Insertion Force	Withdrawal Force
-400T4	Ø.012 [Ø0.30]	1.05 oz Max	0.32 oz Min	-414T4	Ø.012 [Ø0.30]	1.05 oz Max	0.32 oz Min
				-RB501T4	Ø.012 [Ø0.30]	1.05 oz Max	0.32 oz Min



**"ANDON PROPRIETARY INFORMATION"**

**RoHS Compliant**

Rollerball® U.S. PATENTED  
CANADIAN PATENTED

\*Sockets are not drawn to scale  
ams (formerly CMOSIS) 07/27/2021